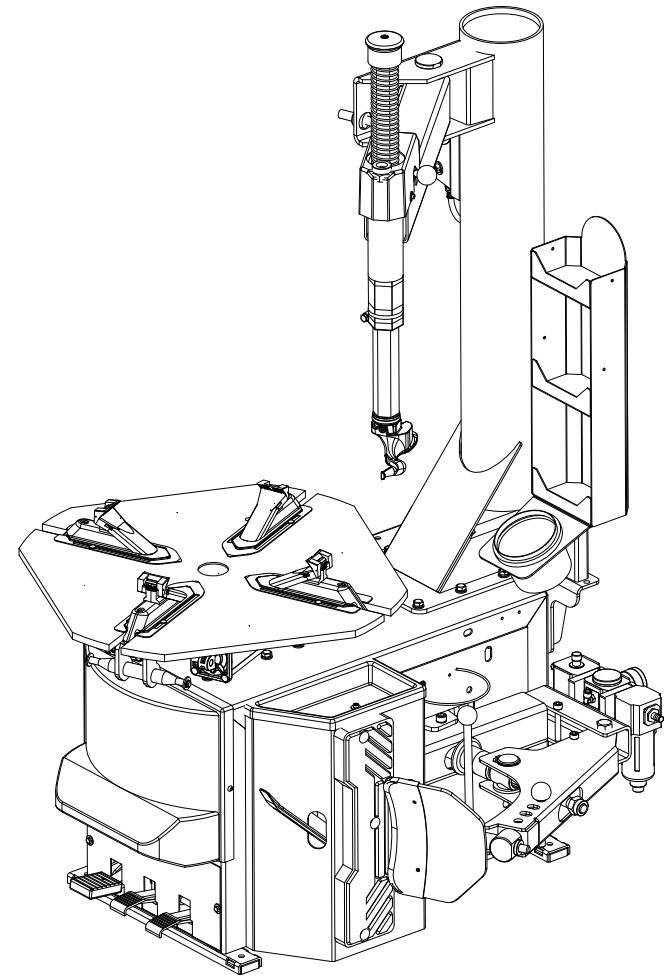


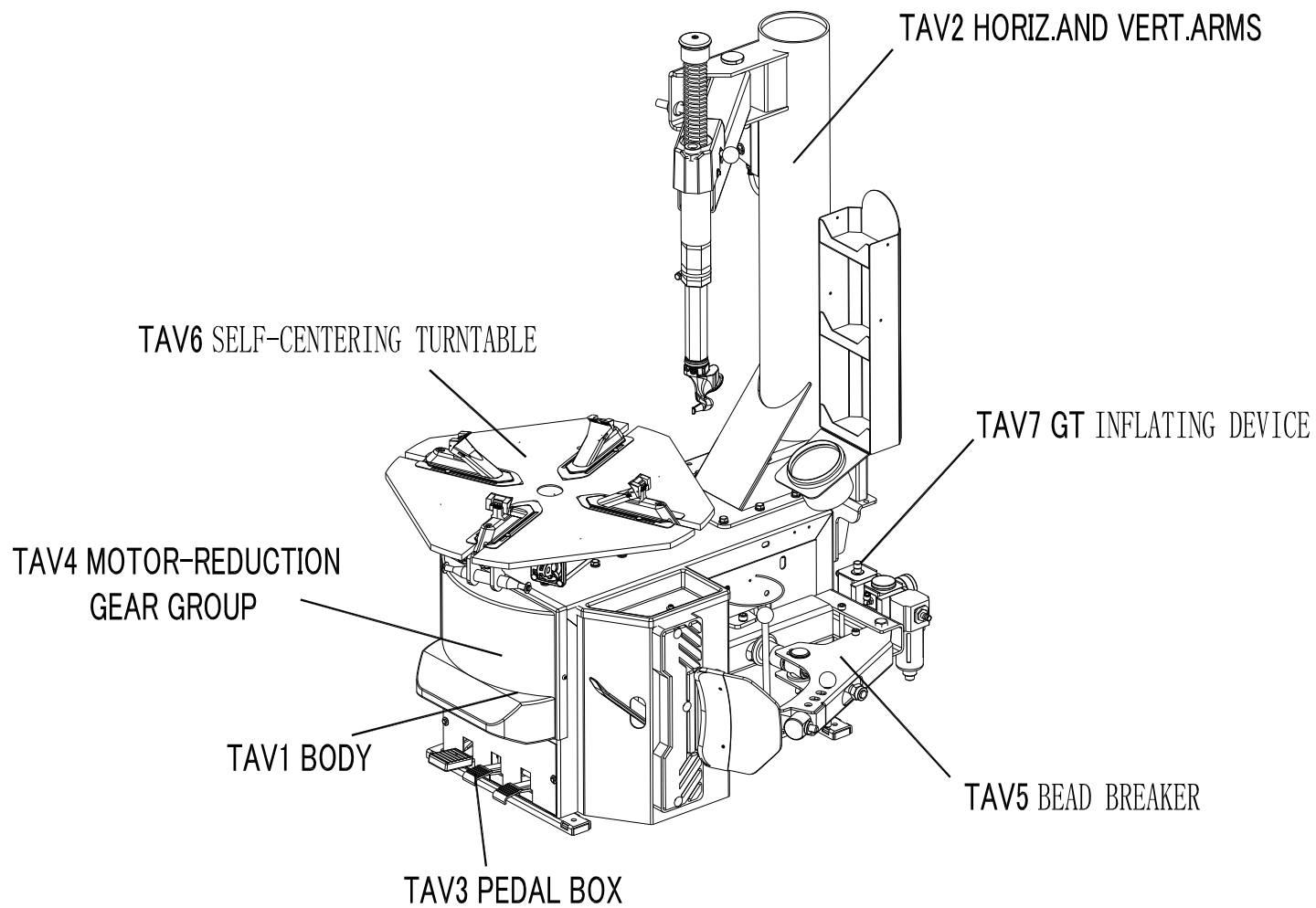
# **CEMB** **USA**

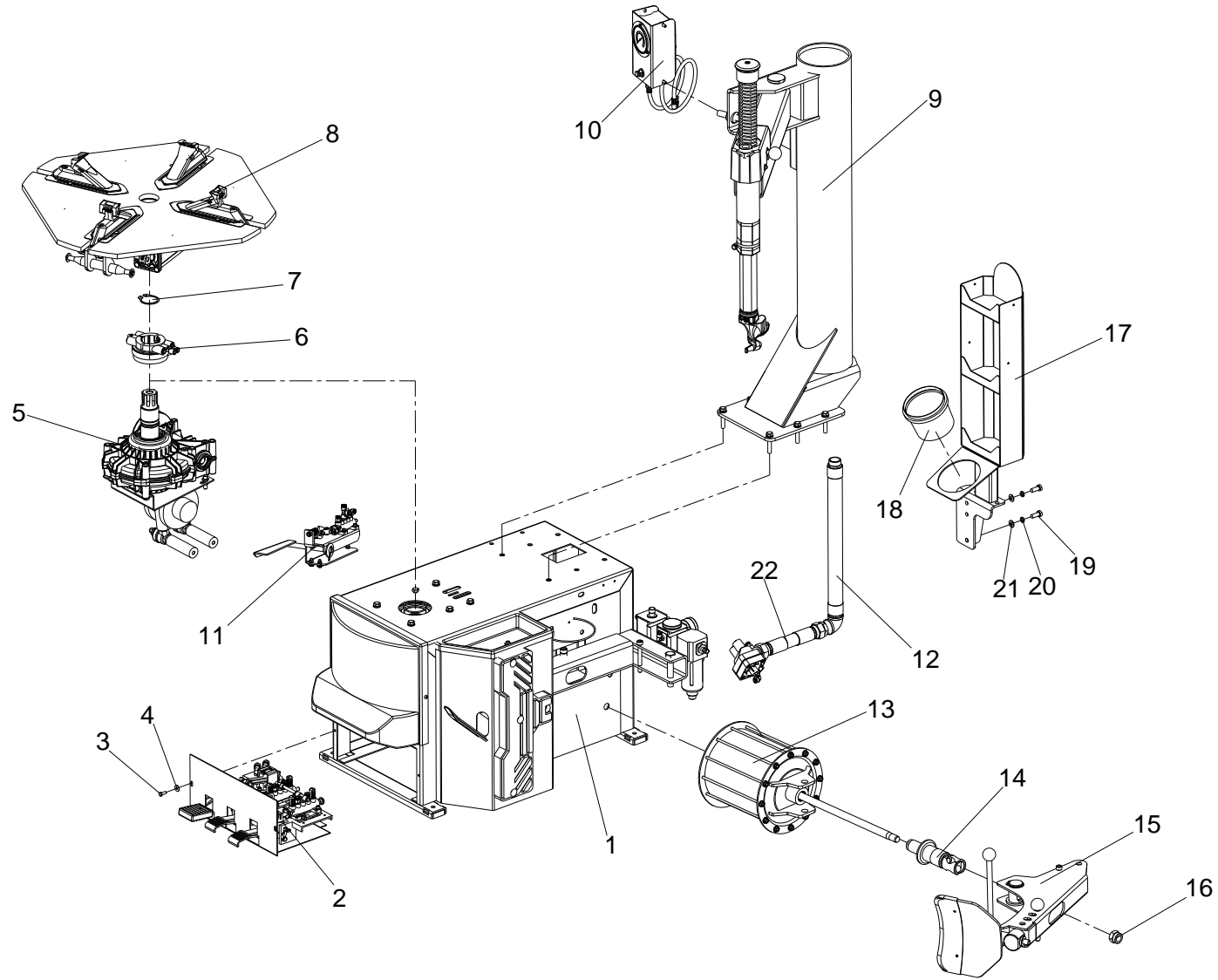
**BALANCING MACHINES**

ED. 03/2018

**PART CATALOGUE**  
**SM825AIR**  
**TIRE CHANGER**

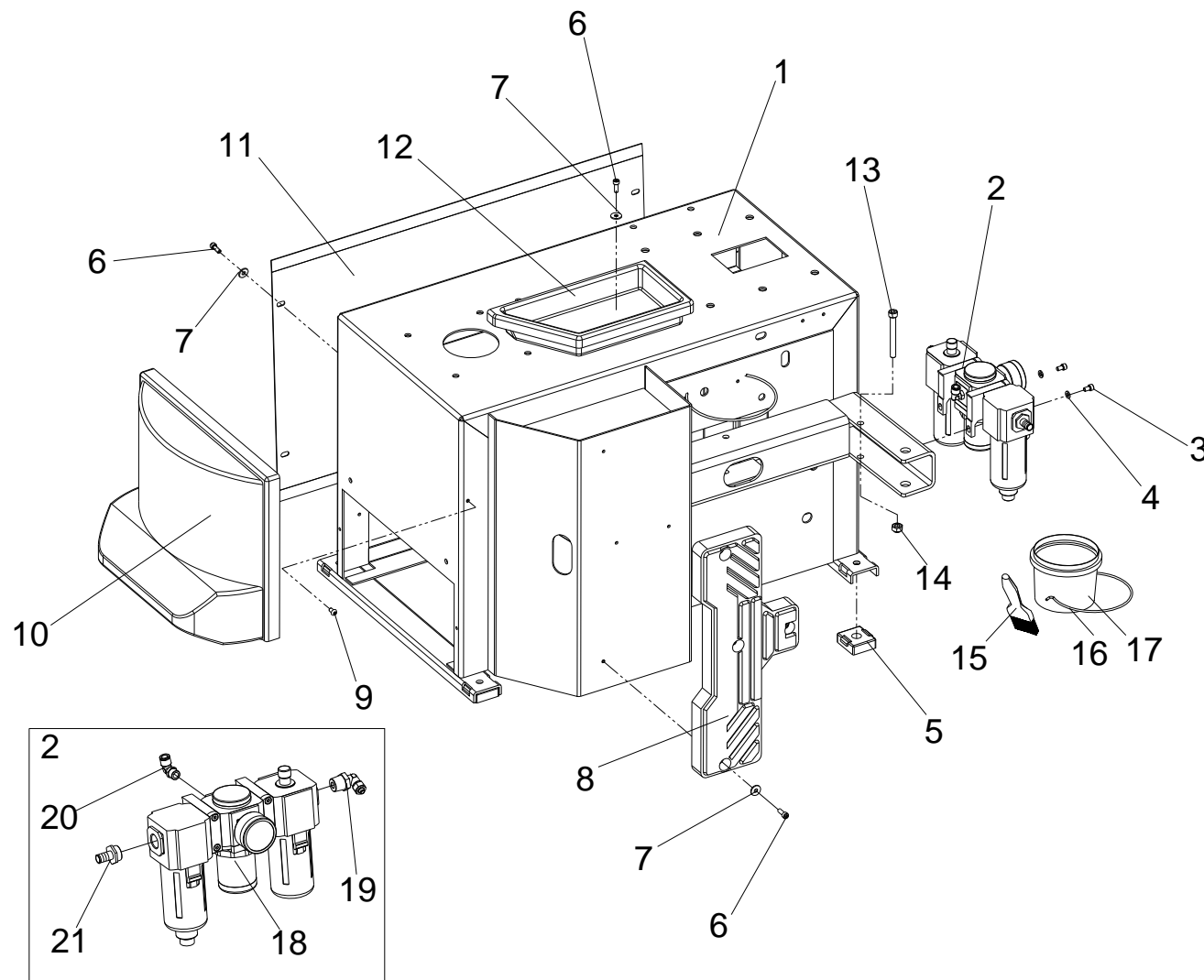






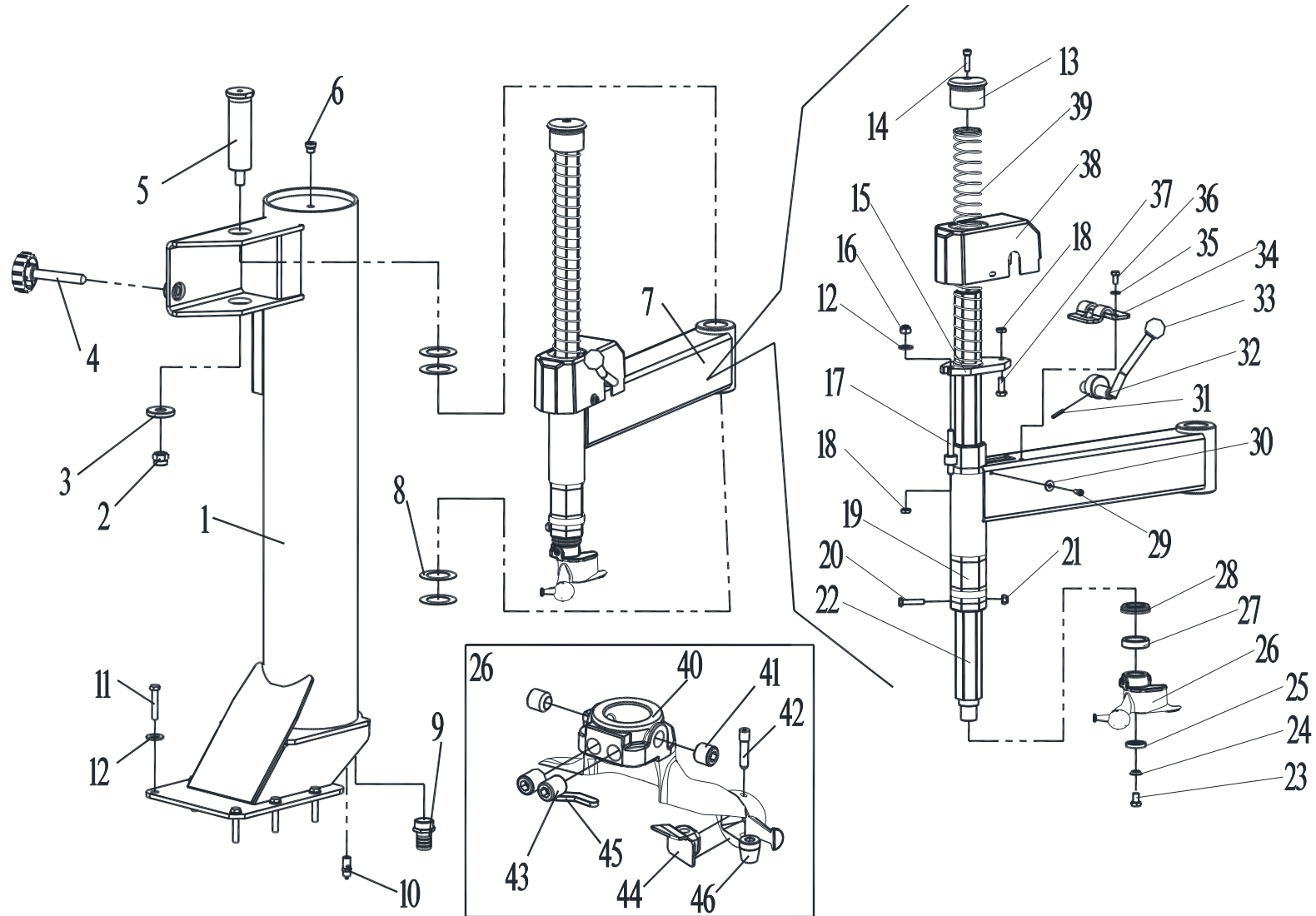
|         |                       |           |
|---------|-----------------------|-----------|
| TAV.0.2 | TIRE CHANGER ASSEMBLY | ED. 03/18 |
|---------|-----------------------|-----------|

| ITEM | PART NUMBER  | DESCRIPTION                  | QTY | REMARK |
|------|--------------|------------------------------|-----|--------|
| 1    | C30C110000-1 | Shell                        | 1   |        |
| 2    | C30C820000   | Pedal control unit           | 1   |        |
| 3    | 0201013      | Screw M6X16                  | 2   |        |
| 4    | 0205007      | Washer D.6                   | 2   |        |
| 5    | C30C600000   | Motor – Reduction gear group | 1   |        |
| 6    | YC2-4298992  | Rotation union GT            | 1   |        |
| 7    | 0212009      | Seeger D.50 - GB/T894.1      | 1   |        |
| 8    | 104-2015845  | Turntable                    | 1   |        |
| 9    | 104-2004000  | Horiz. And vert. Arms        | 1   |        |
| 10   | YC2-2014217A | GT pneumatic unit            | 1   |        |
| 11   | YC2-2012486  | GT pedal control unit        | 1   |        |
| 12   | C30C000100   | Rubber pipe                  | 1   |        |
| 13   | C00AQ10000   | Bead breaker cylinder        | 1   |        |
| 14   | C08C410000   | Limit stroker                | 1   |        |
| 15   | 104-2006000  | Bead breaker arm assembly    | 1   |        |
| 16   | 0204009      | Self-locking nut M18         | 1   |        |
| 17   | C30C700000   | Tool box                     | 1   |        |
| 18   | YC1-4299984  | Grease cup                   | 1   |        |
| 19   | 0201064      | Screw M10X25 - GB/T5783      | 2   |        |
| 20   | 0208007      | Locking washer D.10 - GB/T93 | 2   |        |
| 21   | 0205011      | Washer D.10 - GB/T97.1       | 2   |        |
| 22   | 104-2008001  | Quick charge valve assembly  | 1   |        |



|         |      |           |
|---------|------|-----------|
| TAV.1.0 | BODY | ED. 03/18 |
|---------|------|-----------|

| ITEM | PART NUMBER | DESCRIPTION                       | QTY | REMARK |
|------|-------------|-----------------------------------|-----|--------|
| 1    | C30C110000  | Shell                             | 1   |        |
| 2    | C30C810000  | SMC lubricator + filter regulator | 1   |        |
| 3    | 0202030     | Screw M6X10 - GB/T70.1            | 2   |        |
| 4    | 0205006     | Washer D.6 - GB/T97.1             | 2   |        |
| 5    | YC1-3002099 | Plastic foot                      | 4   |        |
| 6    | 0202032     | Screw M6X16 - GB/T70.1            | 9   |        |
| 7    | 0205007     | Washer D.6 - GB/T96               | 9   |        |
| 8    | YC1-3002102 | Wheel support                     | 1   |        |
| 9    | 0206092     | Screw M6X12 - GB/T70.2            | 2   |        |
| 10   | C24E100001  | Cover                             | 1   |        |
| 11   | YC1-3001800 | Side cover                        | 1   |        |
| 12   | YC1-3618260 | Plastic cover                     | 1   |        |
| 13   | 0202067     | Screw M10X85 - GB/T70.1           | 1   |        |
| 14   | 0202045     | Nut M10 - GB/T889.1               | 1   |        |
| 15   | 0511063     | Grease brush                      | 1   |        |
| 16   | YC1-3000069 | Spring                            | 1   |        |
| 17   | YC1-4299984 | Grease cup                        | 1   |        |
| 18   | 0306344     | Lubricator + filter regulator     | 1   |        |
| 19   | 0306355     | Rotation union 12-1/2             | 1   |        |
| 20   | 0306037     | Rotation union 8-1/4              | 1   |        |
| 21   | 0306358     | Union 12-1/2                      | 1   |        |

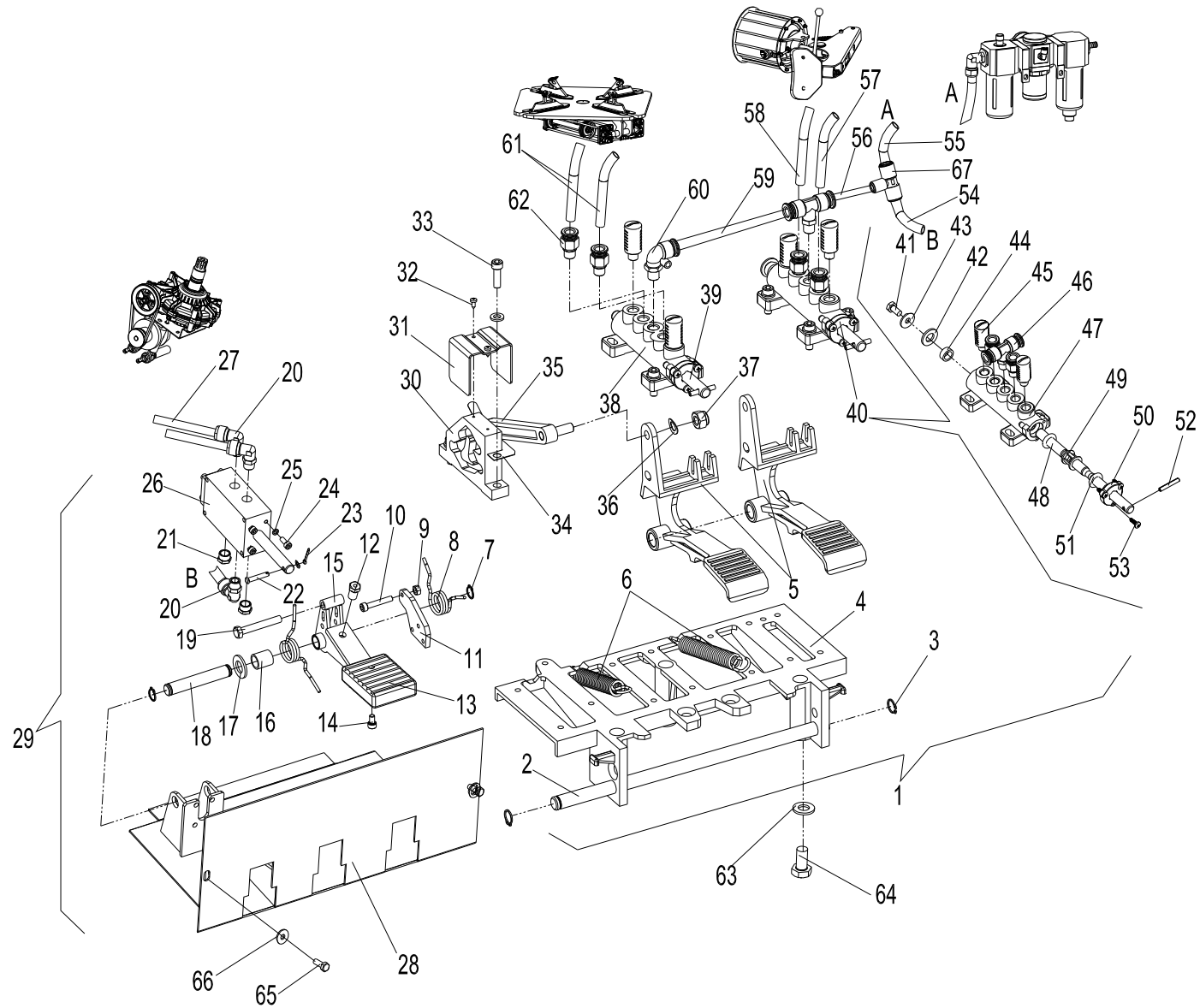


| ITEM | PART NUMBER   | DESCRIPTION                      | QTY | REMARK |
|------|---------------|----------------------------------|-----|--------|
| 1    | 104-2412737-B | Vertical post                    | 1   |        |
| 2    | 0204008       | Self-locking nut M16 - GB/T889.1 | 1   |        |
| 3    | 104-3000079   | Washer                           | 1   |        |
| 4    | YC1-2004002   | Hand wheel                       | 1   |        |
| 5    | 104-3000078-A | Pivot                            | 1   |        |
| 6    | 0305019       | Plug                             | 1   |        |
| 7    | 104-2004001   | Horizontal arm assembly          | 1   |        |
| 8    | 104-4399962   | Steel shim                       | 4   |        |
| 9    | 0306134       | Union 1"                         | 1   |        |
| 10   | 0306004       | Safety valve 1/4 10bar           | 1   |        |
| 11   | 0201055       | Screw M10X55 - GB/T5782          | 6   |        |
| 12   | 0205011       | Washer D.10 - GB/T97.1           | 7   |        |
| 13   | YC1-3001759   | Arm knob                         | 1   |        |
| 14   | 0202049       | Screw M8X30 - GB/T70.1           | 1   |        |
| 15   | 104-3002366-D | Arm locking plate                | 1   |        |
| 16   | 0204005       | Nut M10 - GB/T889.1              | 2   |        |
| 17   | 0213042       | Screw M10X80                     | 1   |        |
| 18   | 0204012       | Nut M10 - GB/T6172.1             | 2   |        |
| 19   | 104-2406658-F | Horizontal arm                   | 1   |        |
| 20   | 0201037       | Screw M8X40 - GB/T5782           | 1   |        |
| 21   | 0204004       | Nut M18 - GB/T889.1              | 1   |        |
| 22   | 104-3002365-H | Hexagonal arm                    | 1   |        |
| 23   | 0201062       | Screw M10X20 - GB/T5783          | 1   |        |
| 24   | YC1-4295805   | Spherical washer                 | 1   |        |
| 25   | YC1-4295804   | Conical washer                   | 1   |        |
| 26   | YC1-2002215   | Mounting tool unit               | 1   |        |
| 27   | YC1-3002601   | Shock absorber                   | 1   |        |



|         |                       |           |
|---------|-----------------------|-----------|
| TAV.2.0 | HORIZ. AND VERT. ARMS | ED. 03/18 |
|---------|-----------------------|-----------|

|    |               |                           |   |
|----|---------------|---------------------------|---|
| 28 | YC1-3002602   | Shock absorber protection | 1 |
| 29 | 0202024       | Screw M6X12 - GB/T70.1    | 2 |
| 30 | 0205007       | Washer D.6 - GB/T96       | 2 |
| 31 | 0213003       | Pin 4X25 - GB/T879.1      | 1 |
| 32 | 104-2406664-B | Arm locking lever         | 1 |
| 33 | YC1-4299952   | Knob                      | 1 |
| 34 | 104-3006663   | Fulcrum plate             | 1 |
| 35 | 0205008       | Washer D.8 - GB/T97.1     | 2 |
| 36 | 0201026       | Screw M8X16 - GB/T5783    | 2 |
| 37 | 0201064       | Screw M10X25              | 1 |
| 38 | 104-3006662-A | Arm frame                 | 1 |
| 39 | 104-3005407   | Spring                    | 1 |
| 40 | YC1-3007801   | Mounting tool             | 1 |
| 41 | 0209020       | Screw M12X12 - GB/T80     | 2 |
| 42 | 0215031       | Shaft                     | 1 |
| 43 | YC1-3006689   | Plastic insert            | 1 |
| 44 | YC1-3013650   | Plastic insert            | 1 |
| 45 | 0209015       | Screw M12X16 - GB/T80     | 2 |
| 46 | 0215032       | Peak roll                 | 1 |



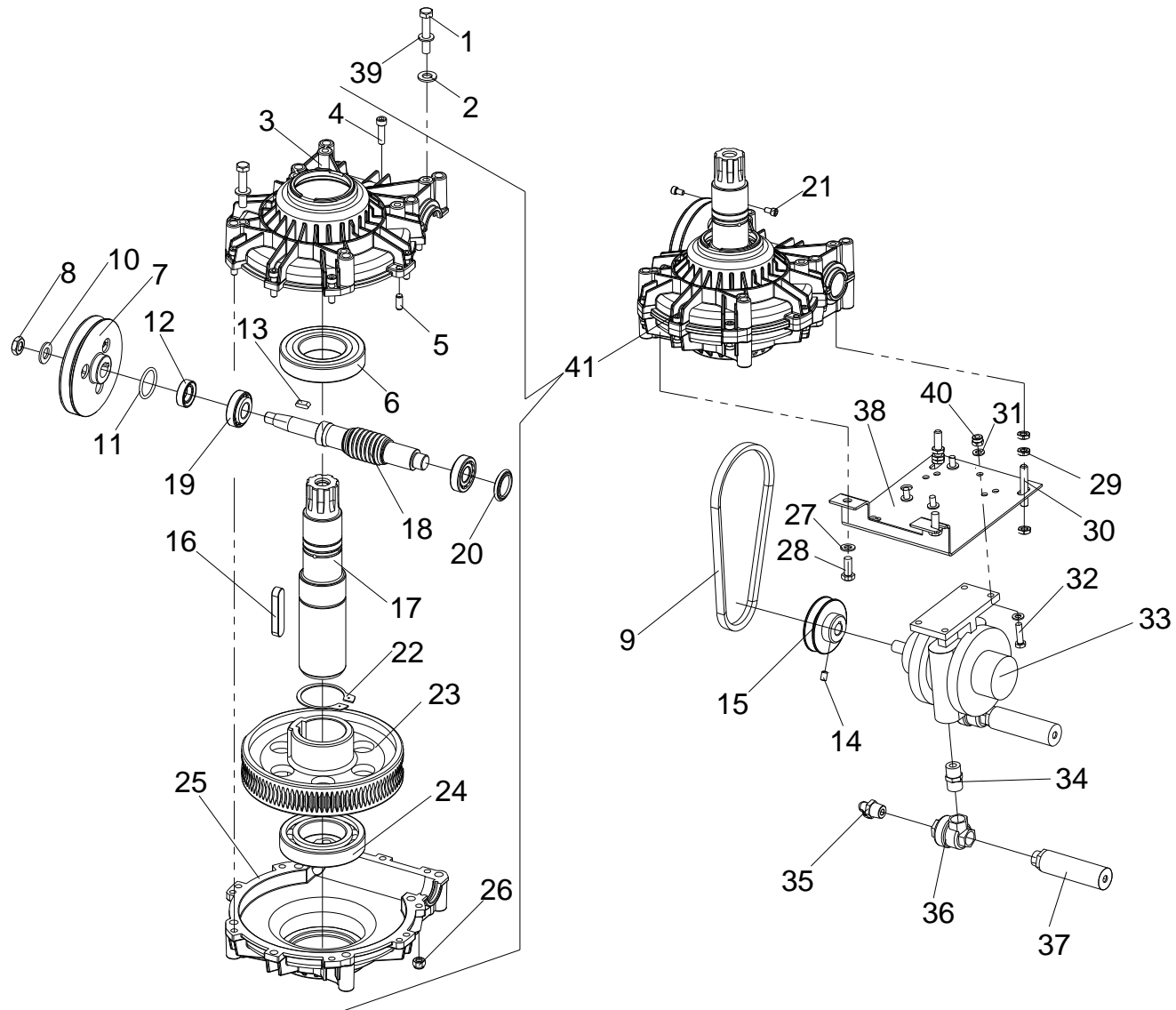
|         |           |           |
|---------|-----------|-----------|
| TAV.3.0 | PEDAL BOX | ED. 03/18 |
|---------|-----------|-----------|

| ITEM | PART NUMBER | DESCRIPTION                 | QTY | REMARK |
|------|-------------|-----------------------------|-----|--------|
| 1    | C30C821000  | Pedal control unit          | 1   |        |
| 2    | C30C821002  | Pedal alignment pin         | 1   |        |
| 3    | 0212001     | Seeger D.12 - GB/T894.1     | 2   |        |
| 4    | C30C821001  | Pedal box base              | 1   |        |
| 5    | YC1-3002159 | Pedal B                     | 2   |        |
| 6    | YC1-3013333 | Pedal return spring         | 2   |        |
| 7    | 0212014     | Seeger D.14 - GB/T894.1     | 2   |        |
| 8    | C00A000001  | Pedal Control Spring        | 2   |        |
| 9    | 0203035     | Nut M6                      | 1   |        |
| 10   | 0202027     | Screw M6X35 - GB/T70.1      | 1   |        |
| 11   | C02A811002  | Limit board                 | 1   |        |
| 12   | P08AG00004  | Special screw               | 1   |        |
| 13   | C108050004A | Pedal cover                 | 1   |        |
| 14   | 0202030     | Screw M6X10 - GB/T70.1      | 1   |        |
| 15   | C30C822200  | Pedal                       | 1   |        |
| 16   | C30C822002  | Bush                        | 1   |        |
| 17   | 0205017     | Washer D.14 - GB/T97.1      | 1   |        |
| 18   | C30C822001A | Shaft                       | 1   |        |
| 19   | 0201020     | Screw M8X55                 | 1   |        |
| 20   | 0306356     | Rotation union D12-1/4      | 3   |        |
| 21   | 0306086     | Silencer 1/4                | 2   |        |
| 22   | 0213149     | Pin 5X28                    | 1   |        |
| 23   | 0213044     | Elastic pin 2X20            | 1   |        |
| 24   | 0202134     | Screw M4.7X12               | 4   |        |
| 25   | 0208003     | Locking washer D.5 - GB/T93 | 4   |        |
| 26   | C30C822300  | Control valve               | 1   |        |
| 27   | 0306352     | Rilsan hose 12X8 L=500      | 2   |        |

|    |             |  |    |
|----|-------------|--|----|
| 28 | C30C822100  | Pedal support                          | 1  |
| 29 | C30C822000  | Pedal air motor control unit           | 1  |
| 30 | YC1-4299913 | Double cam                             | 1  |
| 31 | YC1-3099910 | Connection rod guide                   | 1  |
| 32 | 0207034     | Self-tapping screw ST2.9X6.5 - GB/T845 | 2  |
| 33 | 0202033     | Screw M6X20 - GB/T70.1                 | 10 |
| 34 | YC1-4299911 | Forked leaf spring                     | 1  |
| 35 | YC1-4299912 | Connection rod                         | 1  |
| 36 | 0208014     | Washer D.8 - GB/T860                   | 2  |
| 37 | 0204004     | Nut M8 - GB/T889.1                     | 1  |
| 38 | YC1-2002529 | Turntable valve unit                   | 1  |
| 39 | YC1-3002442 | Valve pin 1                            | 1  |
| 40 | YC1-2006297 | Bead breaking valve unit               | 1  |
| 41 | 0201011     | Screw M6X12                            | 3  |
| 42 | 0205006     | Washer D.6 - GB/T97.1                  | 12 |
| 43 | 0205007     | Washer D.6 - GB/T96                    | 1  |
| 44 | YC1-4197629 | Nylon washer                           | 1  |
| 45 | 0306059     | Silencer 1/8                           | 4  |
| 46 | 0306023     | Quick T union 8-1/8                    | 1  |
| 47 | YC1-3001583 | Valve body                             | 2  |
| 48 | YC1-3007598 | Valve pin 3                            | 1  |
| 49 | YC1-3001584 | Valve spacer                           | 10 |
| 50 | YC1-3001585 | Valve flange                           | 2  |
| 51 | YC1-4299000 | O-ring 17X4                            | 12 |
| 52 | 0213003     | Elastic pin 4X25 - GB/T879.1           | 2  |
| 53 | 0207032     | Self-tapping screw ST3.5X13 - GB/T845  | 6  |
| 54 | 0306352     | Rilsan hose 12X8 L=800                 | 1  |

|         |           |  |           |
|---------|-----------|--|-----------|
| TAV.3.0 | PEDAL BOX |  | ED. 03/18 |
|---------|-----------|--|-----------|

|    |         |                          |   |
|----|---------|--------------------------|---|
| 55 | 0306352 | Rilsan hose 12X8 L=500   | 1 |
| 56 | 0306097 | Rilsan hose 8X5 L=800    | 1 |
| 57 | 0306097 | Rilsan hose 8X5 L=700    | 1 |
| 58 | 0306097 | Rilsan hose 8X5 L=800    | 1 |
| 59 | 0306097 | Rilsan hose 8X5 L=70     | 1 |
| 60 | 0306033 | 90° quick union 8-R1/8   | 1 |
| 61 | 0306097 | Rilsan hose 8X5 L=850    | 2 |
| 62 | 0306045 | Quick union 8-1/8        | 4 |
| 63 | 0201026 | Screw M8X16 - GB/T5783   | 3 |
| 64 | 0205008 | Washer D.8 - GB/T97.1    | 3 |
| 65 | 0201013 | Screw M6X16              | 2 |
| 66 | 0205007 | Washer D.6               | 2 |
| 67 | 0306357 | Quick tee union D.12-D.8 | 1 |

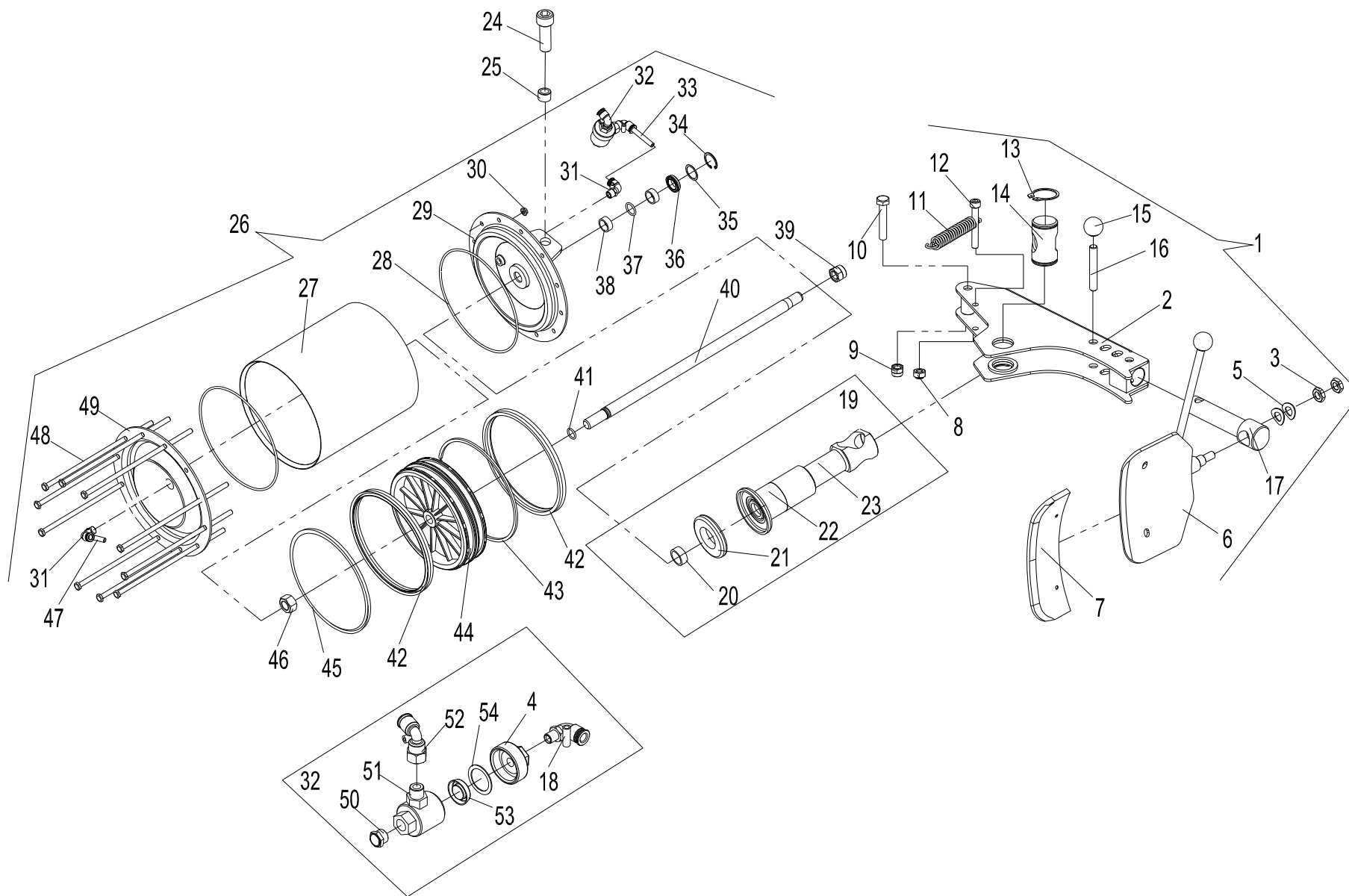


| ITEM | PART NUMBER | DESCRIPTION                   | QTY | REMARK |
|------|-------------|-------------------------------|-----|--------|
| 1    | 0201069     | Screw M10X55 - GB/T5780       | 6   |        |
| 2    | 0205011     | Washer D.10 - GB/T97.1        | 8   |        |
| 3    | YC1-3010872 | Top gear box                  | 1   |        |
| 4    | 0202049     | Screw M8X30 - GB/T70.1        | 10  |        |
| 5    | 0213011     | Elastic pin 8X20- GB/T119.1   | 2   |        |
| 6    | 0214006     | Bearing 6212-2RS - GB/T276    | 1   |        |
| 7    | YC1-3199596 | Gear box pulley               | 1   |        |
| 8    | 0204013     | Nut M14 - GB/T6172.1          | 1   |        |
| 9    | 0606052     | V belt A580                   | 1   |        |
| 10   | 0205017     | Washer D.14 - GB/T97.1        | 1   |        |
| 11   | 0606005     | O-ring 34.5X3.55 - GB/T3452.1 | 1   |        |
| 12   | YC1-4296942 | Seal                          | 1   |        |
| 13   | 0213028     | Tab 6X18 - GB/T1096           | 1   |        |
| 14   | 0209032     | Screw M8X12 - GB/T80          | 1   |        |
| 15   | C30C600002  | Motor pulley                  | 1   |        |
| 16   | 0213027     | Tab 16X70 - GB/T1096          | 1   |        |
| 17   | YC1-3010885 | Helical gear stud             | 1   |        |
| 18   | YC1-3010883 | Worm                          | 1   |        |
| 19   | 0214007     | Bearing 30204 - GB/T297       | 2   |        |
| 20   | YC1-3010886 | Seal cap                      | 1   |        |
| 21   | 0202030     | Screw M6X10 - GB/T70.1        | 2   |        |
| 22   | 0212010     | Seeger D.60 - GB/T894.1       | 1   |        |
| 23   | YC1-3015537 | Helical gear                  | 1   |        |
| 24   | 0214005     | Bearing 6212 - GB/T276        | 1   |        |
| 25   | YC1-3010873 | Bottom gear box               | 1   |        |
| 26   | 0204004     | Nut M8 - GB/T889.1            | 10  |        |
| 27   | 0205011     | Washer D.10 - GB/T97.1        | 2   |        |

|         |                              |           |
|---------|------------------------------|-----------|
| TAV.4.0 | MOTOR – REDUCTION GEAR GROUP | ED. 03/18 |
|---------|------------------------------|-----------|

|    |             |                             |   |
|----|-------------|-----------------------------|---|
| 28 | 0201064     | Screw M10X25 - GB/T5783     | 2 |
| 29 | 0204012     | Nut M10 - GB/T6172          | 6 |
| 30 | 0209055     | Screw M10X60                | 2 |
| 31 | 0205008     | Washer D.8 - GB/T97.1       | 8 |
| 32 | 0201031     | Screw M8X30                 | 4 |
| 33 | 0301050     | Air motor 6AM-H             | 1 |
| 34 | 0306312     | Union 1/2                   | 2 |
| 35 | 0306355     | Union D.12-1/2              | 2 |
| 36 | 0306353     | Quick relief valve D.15-1/2 | 2 |
| 37 | 0306354     | Silencer 1/2                | 2 |
| 38 | C30C600001  | Motor support               | 1 |
| 39 | 0208007     | Washer D.10 - GB/T93        | 6 |
| 40 | 0204004     | Nut M8 - GB/T889.1          | 4 |
| 41 | YC1-2011967 | Reduction gear unit         | 1 |





TAV.5.0

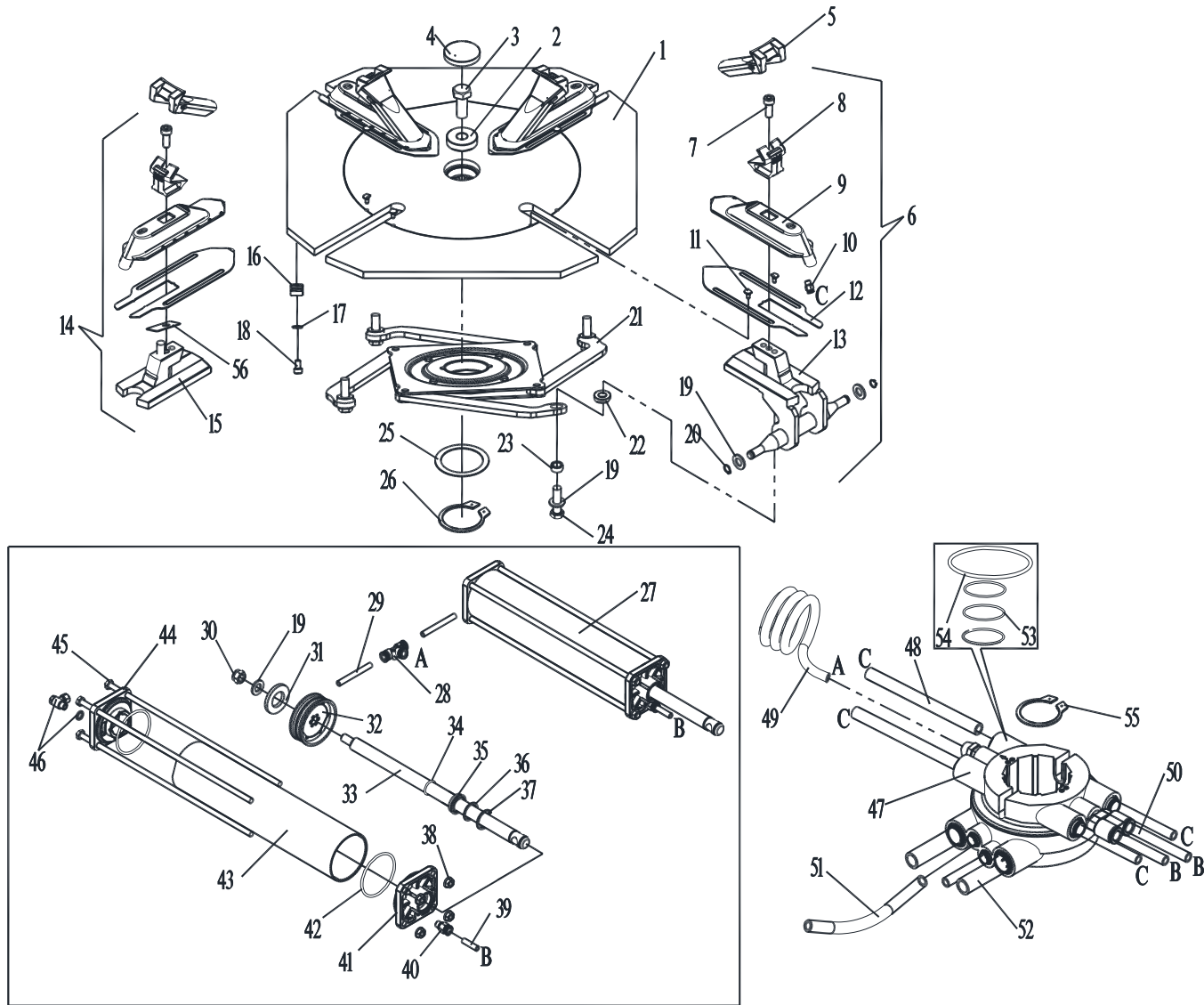
## BEAD BREAKER

ED. 03/18

| ITEM | PART NUMBER   | DESCRIPTION                      | QTY | REMARK |
|------|---------------|----------------------------------|-----|--------|
| 1    | 104-2006000   | Bead breaker arm assembly        | 1   |        |
| 2    | 104-2419234   | Bead break arm                   | 1   |        |
| 3    | 0204013       | Nut M14 - GB/T6172.1             | 2   |        |
| 4    | C02AQ00102    | Valve cover                      | 1   |        |
| 5    | 0211015       | Elastic washer D.14              | 2   |        |
| 6    | 104-2412275-D | Bead breaker arm                 | 1   |        |
| 7    | YC1-3013240   | Protection cover                 | 1   |        |
| 8    | 0204005       | Self-locking nut M10 - GB/T889.1 | 1   |        |
| 9    | 0204008       | Self-locking nut M16 - GB/T889.1 | 1   |        |
| 10   | 0201099       | Screw M16X90 - GB/T5782          | 1   |        |
| 11   | YC1-3000114A  | Arm spring                       | 1   |        |
| 12   | 0202057       | Screw M10X70 - GB/T70.1          | 1   |        |
| 13   | 0212008       | Seeger D.40 - GB/T894.1          | 2   |        |
| 14   | YC1-3008990   | Pivot pin                        | 1   |        |
| 15   | YC1-4299952   | Ball                             | 2   |        |
| 16   | 104-3013838   | Pin(without knob)                | 1   |        |
| 17   | 104-3013865   | Pin                              | 1   |        |
| 18   | 0306033       | 90° quick union 8-R1/8           | 1   |        |
| 19   | C08C410000    | Adjusted limit stroker           | 1   |        |
| 20   | 0305041       | Guide ring 67X9.5X2              | 3   |        |
| 21   | C08C410002    | Rubber limit                     | 1   |        |
| 22   | C08C410100    | Shaft sleeve                     | 1   |        |
| 23   | C08C410001    | Shaft                            | 1   |        |
| 24   | 0202071       | Screw M12X35 - GB/T70.1          | 2   |        |
| 25   | YC1-3015573   | Bush                             | 2   |        |
| 26   | C00AQ10000    | Bead breaker cylinder            | 1   |        |
| 27   | C00AQ10001    | Cylinder liner 200X227.5         | 1   |        |

|         |              |  |           |
|---------|--------------|--|-----------|
| TAV.5.0 | BEAD BREAKER |  | ED. 03/18 |
|---------|--------------|--|-----------|

|    |               |                                  |    |
|----|---------------|----------------------------------|----|
| 28 | 0309104       | O-ring 195X3.55                  | 2  |
| 29 | C207010100    | Front flange                     | 1  |
| 30 | 0204025       | Flange nut M8 - GB/T6177.1       | 12 |
| 31 | 0306037       | 90° quick union 8-1/4            | 2  |
| 32 | C02AQ00100    | Quick discharge valve unit       | 1  |
| 33 | 0306097       | Rilsan hose 8X5 L=700            | 1  |
| 34 | 0211004       | Seeger D.30 - GB/T893.1          | 1  |
| 35 | YC1-4398146   | Washer                           | 1  |
| 36 | 0606016       | Scraper 20X30X7                  | 1  |
| 37 | 0606004       | O-ring 20X2.75                   | 1  |
| 38 | 0305041       | Guide ring 67X9.5X2              | 1  |
| 39 | 0204009       | Self-locking nut M18 - GB/T889.1 | 1  |
| 40 | YC1-3015834-B | Piston rod                       | 1  |
| 41 | 0309084       | O-ring 16X2.65                   | 1  |
| 42 | C207010004    | Seal 188X200X12                  | 2  |
| 43 | C207010001    | Guiding ring                     | 1  |
| 44 | C207010002    | Piston                           | 1  |
| 45 | C207010008    | Seal support ring                | 2  |
| 46 | 0203022       | Nut M18X1.5 - GB/T6171           | 1  |
| 47 | 0306097       | Rilsan hose 8X5 L=750            | 1  |
| 48 | 0201175       | Screw M8X248                     | 12 |
| 49 | C207010007    | Back flange                      | 1  |
| 50 | 0306086       | Silencer G1/4                    | 1  |
| 51 | C02AQ00101    | Valve body                       | 1  |
| 52 | 0306039       | Quick union 8-1/4                | 1  |
| 53 | C02AQ00104    | Seal                             | 1  |
| 54 | C02AQ00103    | Seal                             | 1  |



|         |                             |           |
|---------|-----------------------------|-----------|
| TAV.6.0 | SELF-CENTERING TURNTABLE GT | ED. 03/18 |
|---------|-----------------------------|-----------|

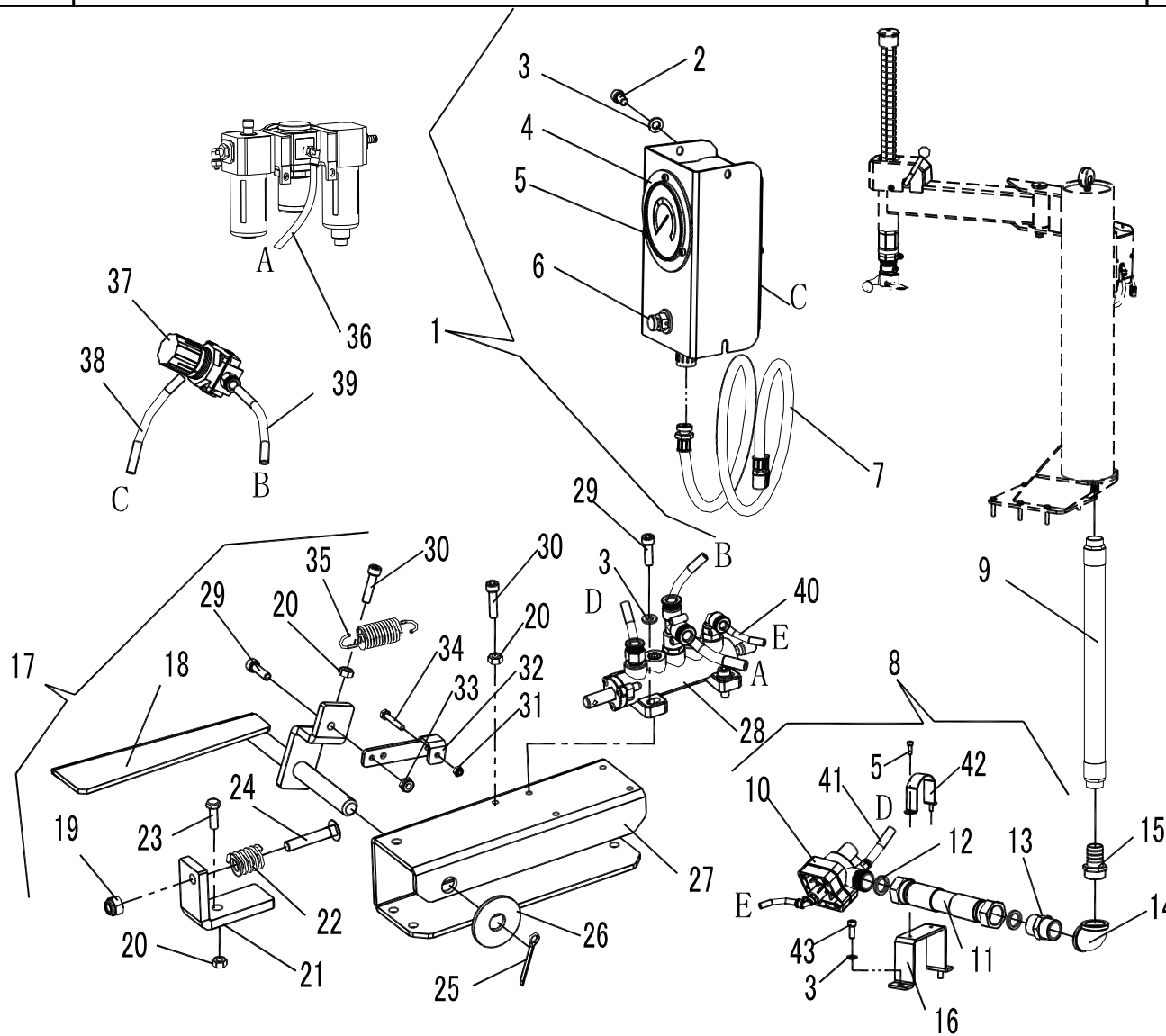
| ITEM | PART NUMBER   | DESCRIPTION                  | QTY | REMARK |
|------|---------------|------------------------------|-----|--------|
| 1    | 104-3019250-A | Turntable                    | 1   |        |
| 2    | YC1-3009778   | Washer                       | 1   |        |
| 3    | 0201100       | Screw M16X1.5X40 - GB/T5786  | 1   |        |
| 4    | YC1-3000062   | Turntable cap                | 1   |        |
| 5    | YC1-3001468   | Clamp cover                  | 4   |        |
| 6    | 104-2007003   | Clamp assembly               | 2   |        |
| 7    | 0202055       | Screw M10X1.25X25 - GB/T70.1 | 4   |        |
| 8    | YC1-3002297   | Oversize clamp               | 4   |        |
| 9    | YC2-2407387   | Slide                        | 4   |        |
| 10   | 0306143       | Quick union 10-1/4           | 4   |        |
| 11   | YC1-3015187   | Rivet                        | 8   |        |
| 12   | YC1-3015169   | Turntable plate              | 4   |        |
| 13   | YC1-2415756   | Slide guide                  | 2   |        |
| 14   | 104-2007002   | Slide guide                  | 2   |        |
| 15   | YC1-2412860   | Slide guide                  | 2   |        |
| 16   | C00A000016    | Clip                         | 4   |        |
| 17   | 0205006       | Washer D.6 - GB/T97.1        | 4   |        |
| 18   | 0202030       | Screw M6X10 - GB/T70.1       | 4   |        |
| 19   | 0205013       | Washer D.12 - GB/T97.1       | 10  |        |
| 20   | 0212001       | Seeger D.12 - GB/T894.1      | 4   |        |
| 21   | 104-2007001   | Turntable flange             | 1   |        |
| 22   | YC1-3006879   | Spacer                       | 4   |        |
| 23   | YC1-3006880   | Connection rod spacer        | 4   |        |
| 24   | 0201072       | Screw M12X1.25X45 - GB/T5786 | 4   |        |
| 25   | YC1-3006869-A | Connection rod spacer        | 1   |        |
| 26   | 0212011       | Seeger D.65                  | 1   |        |
| 27   | YCP-2008857   | Turntable cylinder           | 2   |        |

|         |                             |           |
|---------|-----------------------------|-----------|
| TAV.6.0 | SELF-CENTERING TURNTABLE GT | ED. 03/18 |
|---------|-----------------------------|-----------|

|    |              |                                |   |
|----|--------------|--------------------------------|---|
| 28 | 0306024      | Quick T union D.8              | 1 |
| 29 | 0306097      | Rilsan hose 8X5 L=70           | 2 |
| 30 | 0204007      | Nut M12 - GB/T889.1            | 2 |
| 31 | YC1-4198857  | Washer                         | 2 |
| 32 | YC1-4198856  | Piston                         | 2 |
| 33 | YCP-3008859  | Piston rod                     | 2 |
| 34 | 0606004      | O-ring 20X2.75 - GB/T3452.1    | 2 |
| 35 | 0606016      | Scraper 20X30X7                | 2 |
| 36 | YC1-4398146  | Washer                         | 2 |
| 37 | 0211004      | Seeger D.30 - GB/T893.1        | 2 |
| 38 | 0204025      | Nut M8 - GB/T6177.1            | 8 |
| 39 | 0306097      | Rilsan hose 8X5 L=350          | 2 |
| 40 | 0306045      | Quick union 8-1/8              | 2 |
| 41 | YC1-3015024A | Front flange                   | 2 |
| 42 | 0606007      | O-ring 75X3.55 - GB/T3452.1    | 4 |
| 43 | YCP-3008858  | Cylinder liner                 | 2 |
| 44 | YC1-3015023A | Back flange                    | 2 |
| 45 | 0201035      | Screw M8X431                   | 8 |
| 46 | 0306016      | Union 8-1/8                    | 2 |
| 46 | 0306016-1    | Nylon washer                   | 2 |
| 47 | YC2-4298992  | Rotation union GT              | 1 |
| 48 | 0306094      | Rilsan hose 10X6.5 L=4200      | 4 |
| 49 | 0306157      | Rilsan spiral hose 8X5.5 L=625 | 2 |
| 50 | 0306097      | Rilsan hose 8X5 L=270          | 2 |
| 51 | 0306097      | Rilsan hose 8X5 L=850          | 2 |
| 52 | 0306018      | Rilsan hose 14X10 L=1000       | 3 |
| 53 | 0309065      | O-ring 63X2.65 - GB/T3452.1    | 1 |

|         |                             |  |  |           |
|---------|-----------------------------|--|--|-----------|
| TAV.6.0 | SELF-CENTERING TURNTABLE GT |  |  | ED. 03/18 |
|---------|-----------------------------|--|--|-----------|

|    |         |                            |   |
|----|---------|----------------------------|---|
| 54 | 0309067 | O-ring 90X1.8 - GB/T3452.1 | 1 |
| 55 | 0212009 | Seeger D.50 - GB/T894.1    | 1 |
| 56 | 0306024 | Steel shim                 | 4 |





| ITEM | PART NUMBER  | DESCRIPTION                     | QTY | REMARK |
|------|--------------|---------------------------------|-----|--------|
| 1    | YC2-2014217A | GT pneumatic unit               | 1   |        |
| 2    | 0202030      | Screw M6X10 - GB/T70.1          | 2   |        |
| 3    | 0205006      | Washer D.6 - GB/T97.1           | 6   |        |
| 4    | 0305058      | Pressure gauge                  | 1   |        |
| 5    | 0202008      | Screw M4X8 - GB/T70.1           | 5   |        |
| 6    | YC2-4299354  | Relief valve                    | 1   |        |
| 7    | 0306110      | GT control unit hose 1/4 L=1500 | 1   |        |
| 8    | 104-2008001  | GT pneumatic valve unit         | 1   |        |
| 9    | C30C000100   | Rubber pipe                     | 1   |        |
| 10   | YC2-4198531  | Pneumatic valve                 | 1   |        |
| 11   | 0306340      | Rilsan hose                     | 1   |        |
| 12   | C04A301013   | Seal                            | 2   |        |
| 13   | 0306343      | Rotation union 1"               | 1   |        |
| 14   | 0511076      | Elbow union 1"                  | 1   |        |
| 15   | 0306134      | Union 1"                        | 1   |        |
| 16   | YC2-3075301  | Support                         | 1   |        |
| 17   | YC2-2012486  | GT valve control                | 1   |        |
| 18   | YC2-2410288  | GT pedal                        | 1   |        |
| 19   | 0204004      | Nut M8 - GB/T889.1              | 1   |        |
| 20   | 0203004      | Nut M6 - GB52                   | 3   |        |
| 21   | YC2-3008005  | Limit stop screw support        | 1   |        |
| 22   | YC2-4298942  | Spring                          | 1   |        |
| 23   | 0201014      | Screw M6X20 - GB/T5783          | 1   |        |
| 24   | 0201170      | Screw M8X45 - GB/T794           | 1   |        |
| 25   | 0213020      | Pin 3X30                        | 1   |        |
| 26   | 0205016      | Washer 14                       | 1   |        |
| 27   | YC2-3010287  | Valve unit support              | 1   |        |

|         |                     |           |
|---------|---------------------|-----------|
| TAV.7.0 | GT INFLATING DEVICE | ED. 03/18 |
|---------|---------------------|-----------|

|    |             |                                 |   |
|----|-------------|---------------------------------|---|
| 28 | YC2-2009718 | GT valve unit                   | 1 |
| 29 | 0202033     | Screw M6X20 - GB/T70.1          | 5 |
| 30 | 0202034     | Screw M6X25 - GB/T70.1          | 2 |
| 31 | 0204001     | Locking nut M4 - GB/T889.1      | 1 |
| 32 | YC2-3001853 | Valve control lever             | 1 |
| 33 | 0204003     | Self-locking nut M6 - GB/T889.1 | 2 |
| 34 | 0201002     | Screw M4X25                     | 1 |
| 35 | YC2-3000141 | Spring                          | 1 |
| 36 | 0306097     | Rilsan hose 8X5 L=1000          | 1 |
| 37 | C00AQ58000  | Safety valve unit 3.5bar        | 1 |
| 38 | 0306097     | Rilsan hose 8X5 L=850           | 1 |
| 39 | 0306097     | Rilsan hose 8X5 L=400           | 1 |
| 40 | 0306095     | Rilsan hose 6X4 L=400           | 2 |
| 41 | 0306097     | Rilsan hose 8X5 L=500           | 1 |
| 42 | 0511130     | Clip 1.2"                       | 1 |
| 43 | 0202032     | Screw M6X16 - GB/T70.1          | 2 |